

STIRLING

DESIGNER GUIDE
SPECIFICATIONS

24" Undercounter
Single Zone Refrigerator

S4-100SS
S4-125SS
S4-150SS

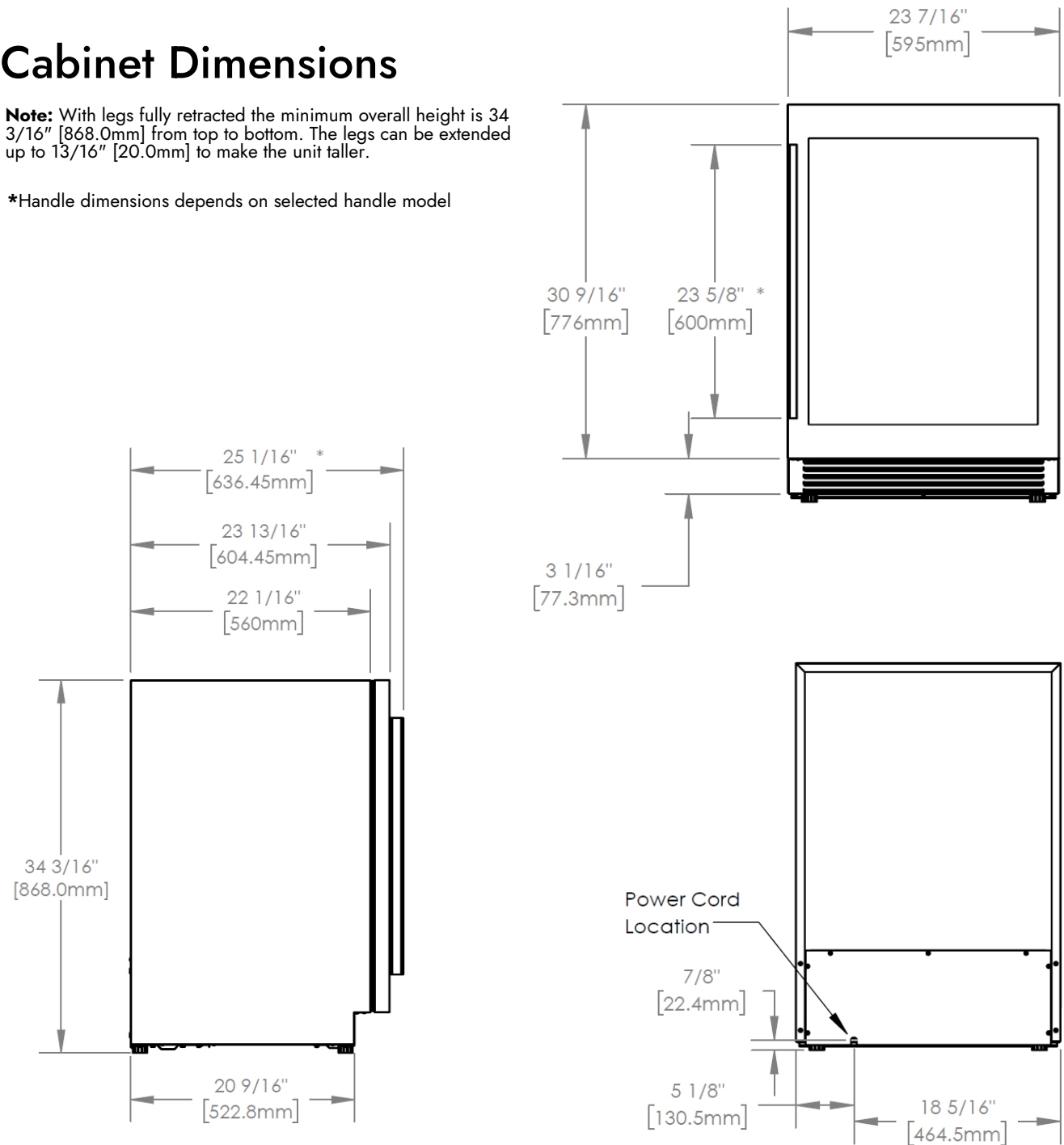
24" Undercounter
Dual Zone Refrigerator

S4-D200SS
S4-D225SS
S4-D250SS
S4-D275SS

Cabinet Dimensions

Note: With legs fully retracted the minimum overall height is 34 3/16" [868.0mm] from top to bottom. The legs can be extended up to 13/16" [20.0mm] to make the unit taller.

*Handle dimensions depends on selected handle model



STIRLING

DESIGNER GUIDE
SPECIFICATIONS

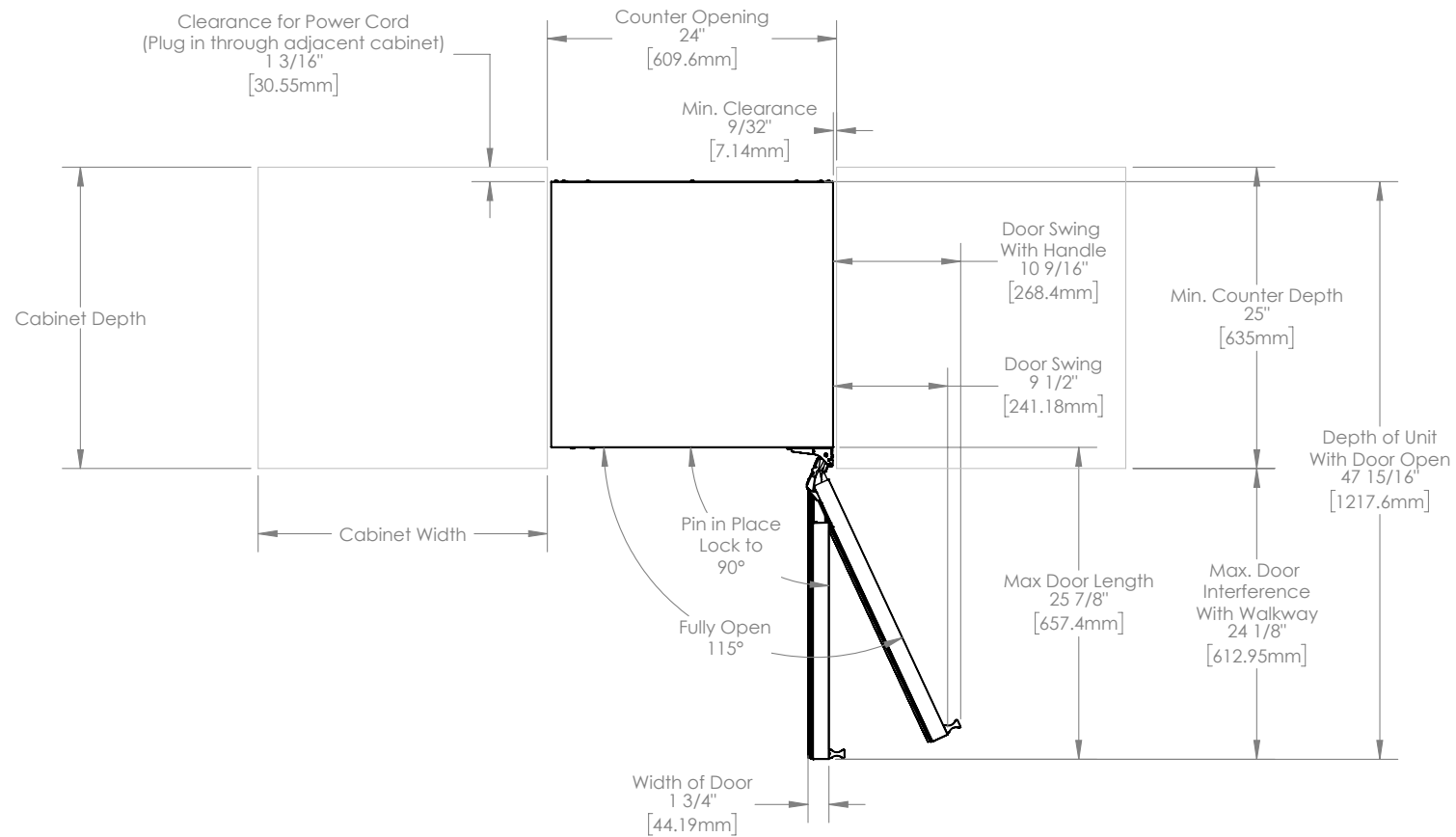
24" Undercounter
Single Zone Refrigerator

S4-100SS
S4-125SS
S4-150SS

24" Undercounter
Dual Zone Refrigerator

S4-D200SS
S4-D225SS
S4-D250SS
S4-D275SS

Open Door Dimensions



STIRLING

DESIGNER GUIDE
SPECIFICATIONS

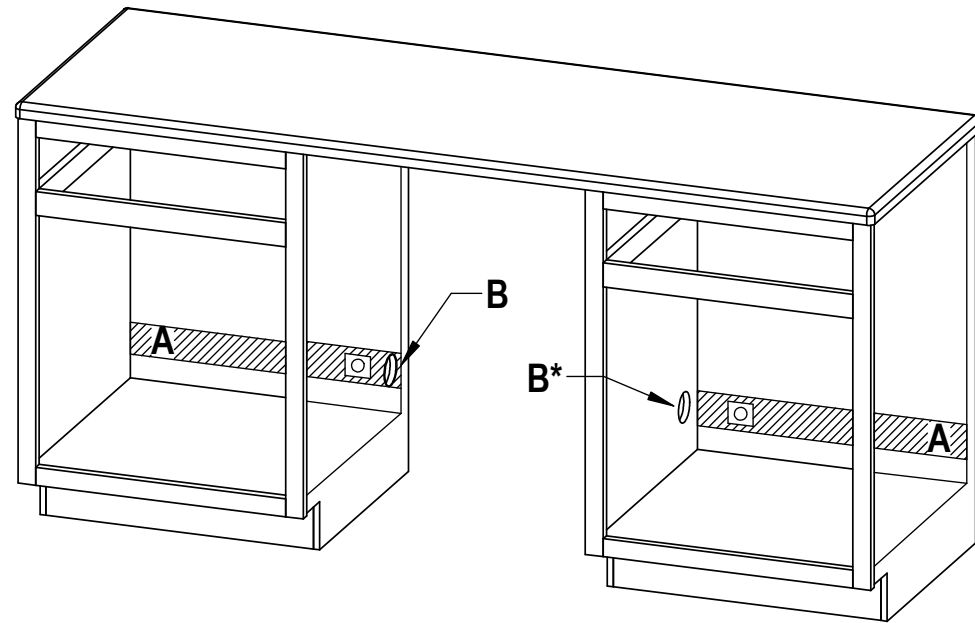
24" Undercounter
Single Zone Refrigerator

S4-100SS
S4-125SS
S4-150SS

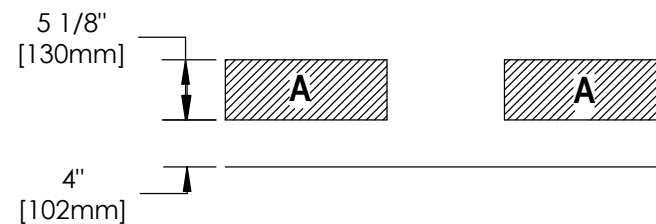
24" Undercounter
Dual Zone Refrigerator

S4-D200SS
S4-D225SS
S4-D250SS
S4-D275SS

Electrical Outlet Rough-In Location



A: Recommended area for installation connection.

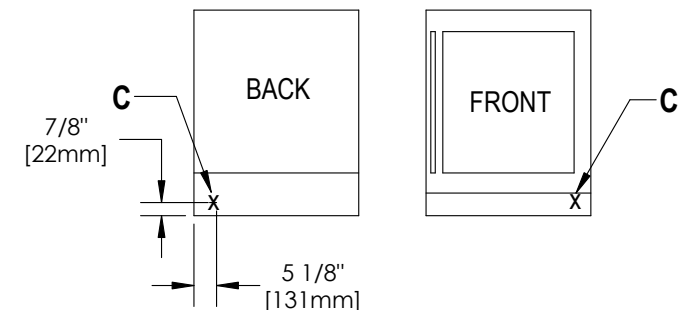


For flush installation it is recommended to plug in the power cord beside the unit, not directly behind.

B: To route power cord to outlet - a 2 1/2" [63mm] diameter hole through wall of the adjacent cabinet is recommended.

*The cabinet on the right hand side (when facing the front of the cabinet) is the preferred location to wire through.

C: Location of power cord is on the back left of the unit



STIRLING

DESIGNER GUIDE
SPECIFICATIONS

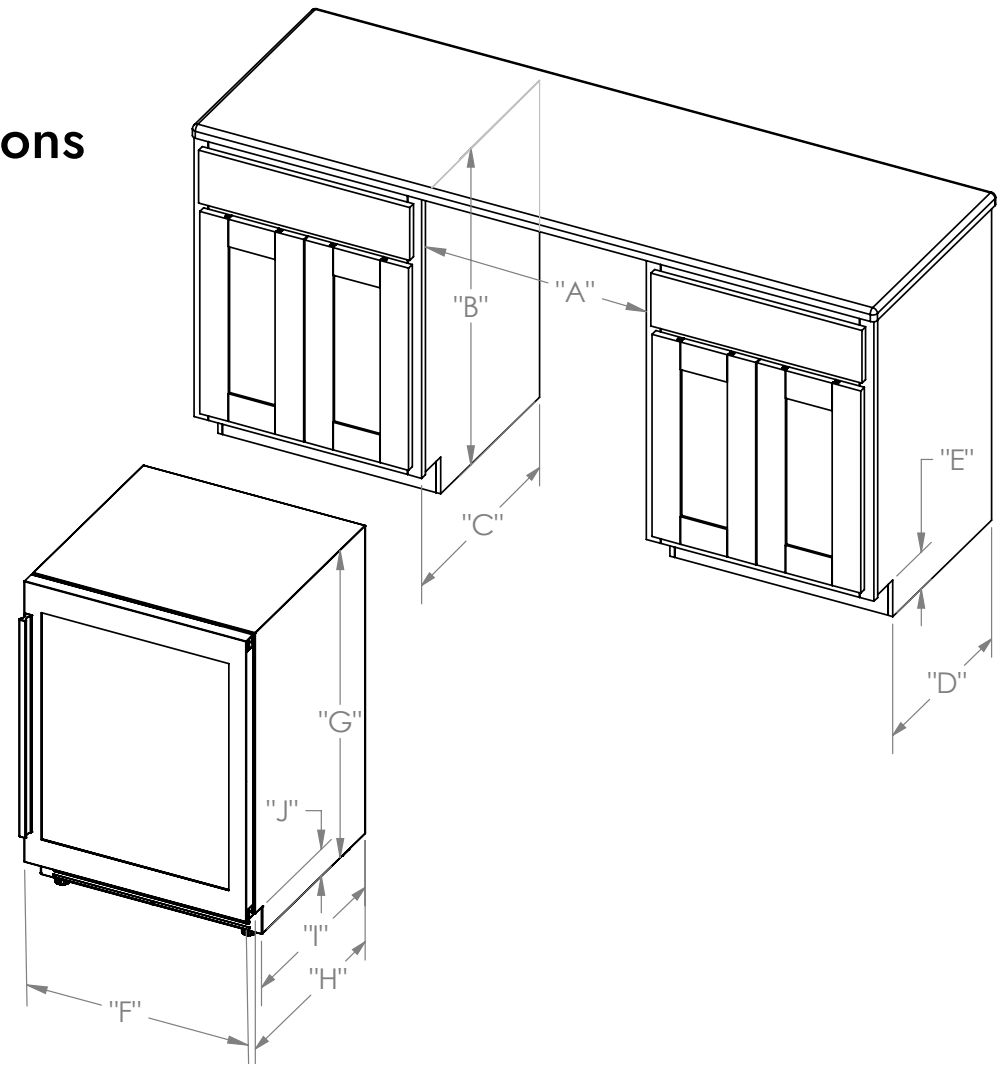
24" Undercounter
Single Zone Refrigerator

S4-100SS
S4-125SS
S4-150SS

24" Undercounter
Dual Zone Refrigerator

S4-D200SS
S4-D225SS
S4-D250SS
S4-D275SS

Rough-In Dimensions



Rough-In Dimensions

A. Rough-In Width	24" [610mm]
B. Rough-In Height	34 1/2" [877mm] to 35" 1/8" [892mm]
C. Rough-In Depth	25" [635mm]
D. Rough-In Depth to Kickplate	21 3/4" [552mm]
E. Rough-In Kickplate Height	3 1/16" [77mm]

Product Dimensions

F. Width	23 7/16" [595mm]
G. Height	34 3/16" [868mm] to 35" [888mm]
H. Depth	23 13/16" [605mm]
I. Depth to Kickplate	20 9/16" [523mm]
J. Kickplate Height	3 1/16" [77mm]