



### CONSTRUCTION & OPERATION

Built-in Installation	✓
Flush Mount Depth to Kickplate	✓
304 Stainless Steel Interior	✓
Noise Level (dBA)	< 38
Durable Black Aluminum Door Frame	✓
Hettich® Soft Close Zero Clearance Hinge	✓
DOW DELTA-THERM™ High Density HFO Foam Insulation	✓
Custom Copper Evaporator	2
Embraco® High Efficiency Variable Speed Inverter Compressor	✓
Energy Efficient Frost-Free Operation	✓
Stirling SmoothAir Variable DC Speed Blowers	✓
Stirling TempSync Monitoring System	✓
Door Ajar Chime	✓
Sabbath Mode	✓
Demo Mode	✓

### INTERIOR FEATURES

High Definition TFT Display & Minimalistic Illuminated Control Panel	✓
Auto Gradual LED Interior Lighting	✓
Hettich® Smooth & Soft Close Full Extension Shelves	5
304 Stainless Steel Shelf Frames	✓
StirlingFlex Aluminum Bottle Shelf Design	✓
Quick-Adjust 304 Stainless Steel Shelf System	✓
Stainless Steel Shelf Trim	✓
Refillable High Flow Carbon Filter	2

**UPC** 809854001924

### EXTERIOR FIT & FINISH

304 Steel One-Piece Door Frame	✓
Professional Tubular Handle Design	✓
Reversible Door Swing (Factory Set RH)	✓
Smoked 3-layer Humidity Controlled Ar Insulated Glass Door	✓
2 Layer Low-E UV Protected Glass	✓
Stirling Signature Kickplate & Ventilation Grill	✓
Anti-Tip Bracket	✓

### TECHNICAL SPECIFICATIONS

Capacity (cu.ft./L)	5.3/150
Bottle Capacity	Up to 42 bottles
Energy Consumption (kwh/year)	134
ENERGY STAR/NRCan Certified	✓
Temperature Range (in each zone)	3-20°C
Refrigerant Type	R600a
Humidity Control Level	60%
Certification	CSA

### PRODUCT DIMENSIONS

W x H x D (mm)	595 x 868 - 888 x 604.45
W x H x D (inches)	23 7/16 x 34 3/16 - 35 x 23 13/16
Net Weight (kg)	68.8
Net Weight (lbs)	151.6

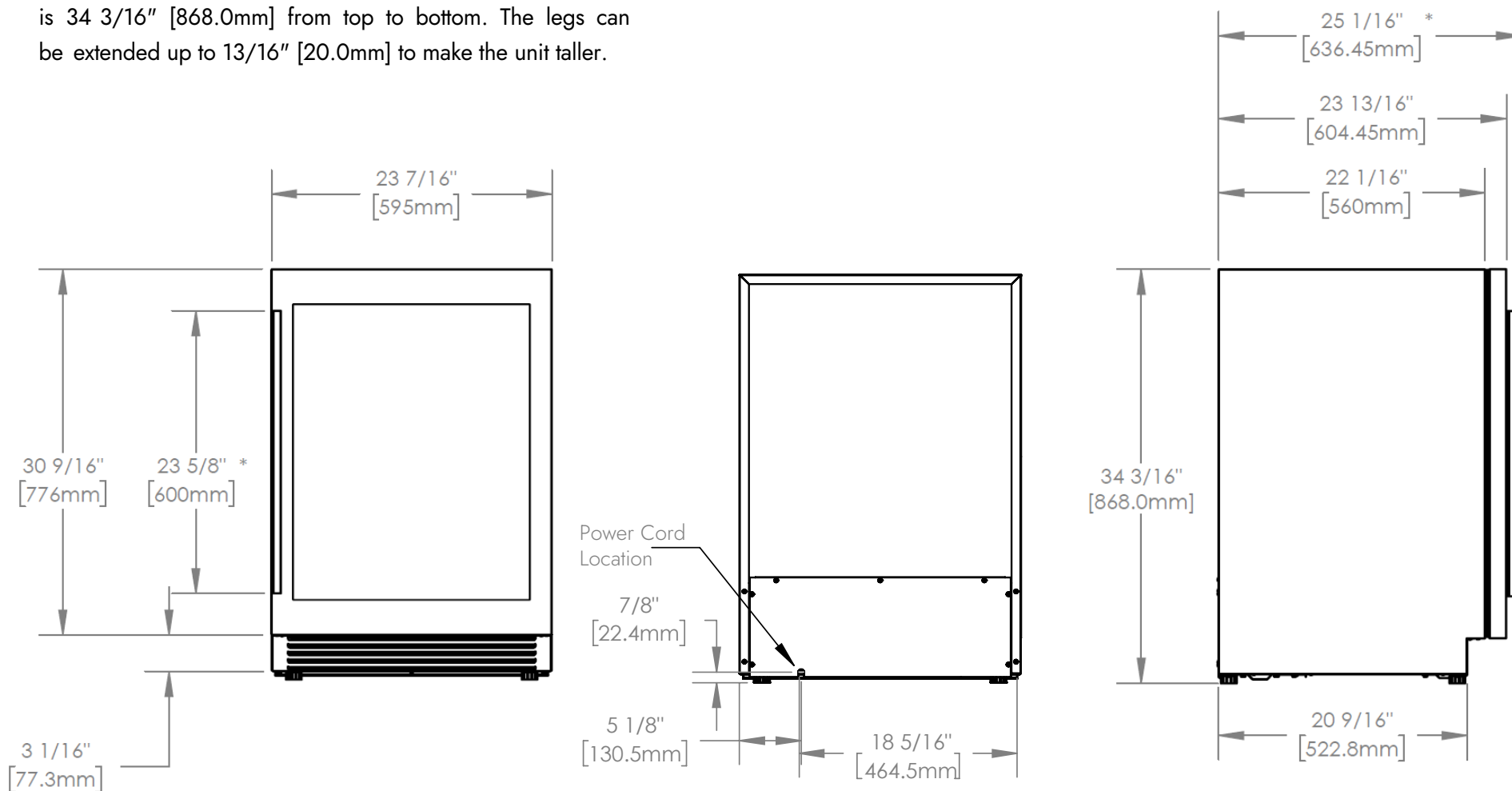
### CARTON DIMENSIONS

W x H x D (mm)	673 X 673 X 952.5
W x H x D (inches)	26 1/2 x 26 1/2 x 37 1/2
Gross Weight (kg)	72.3
Gross Weight (lbs)	159.31

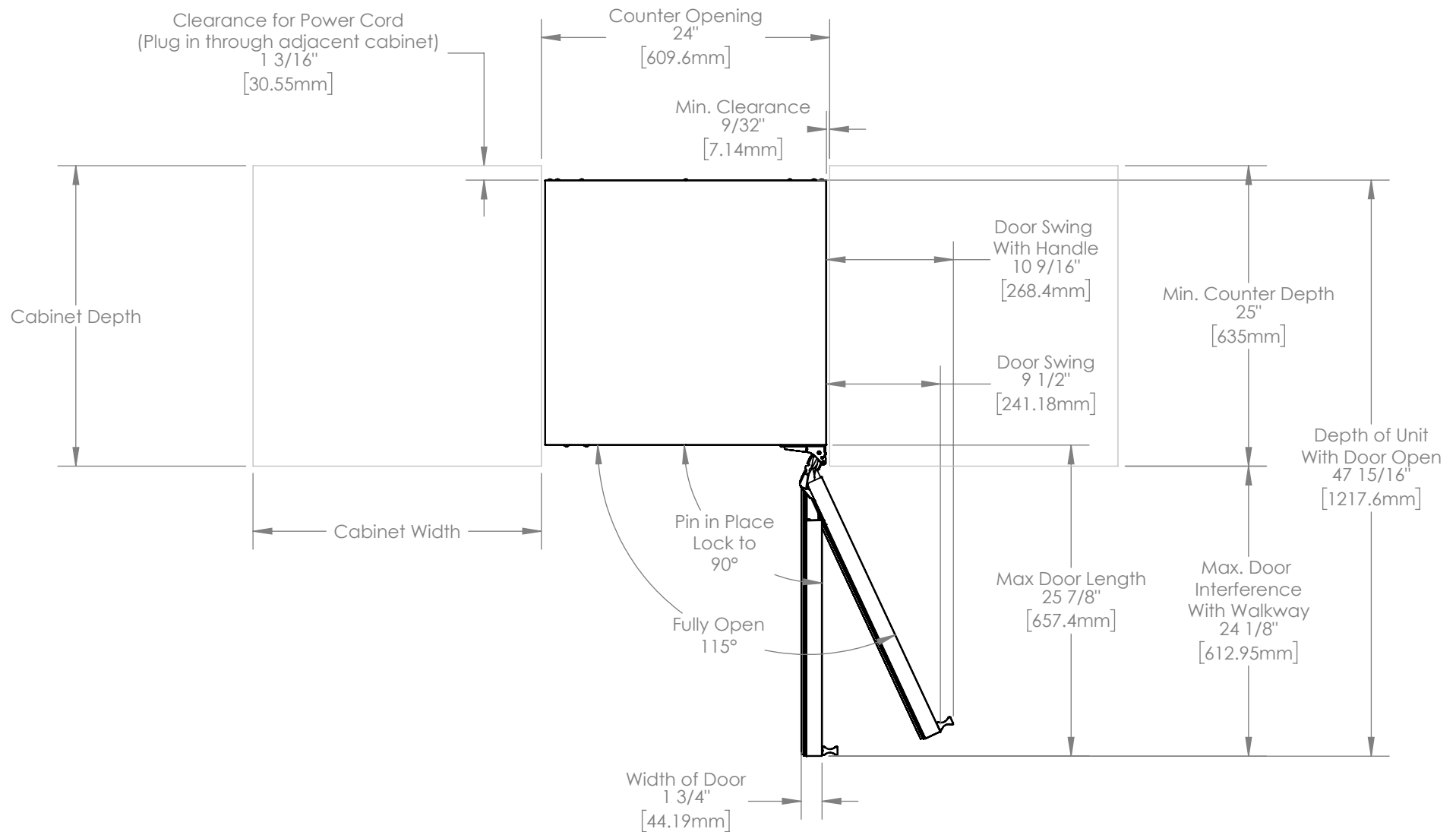


## Cabinet Dimensions

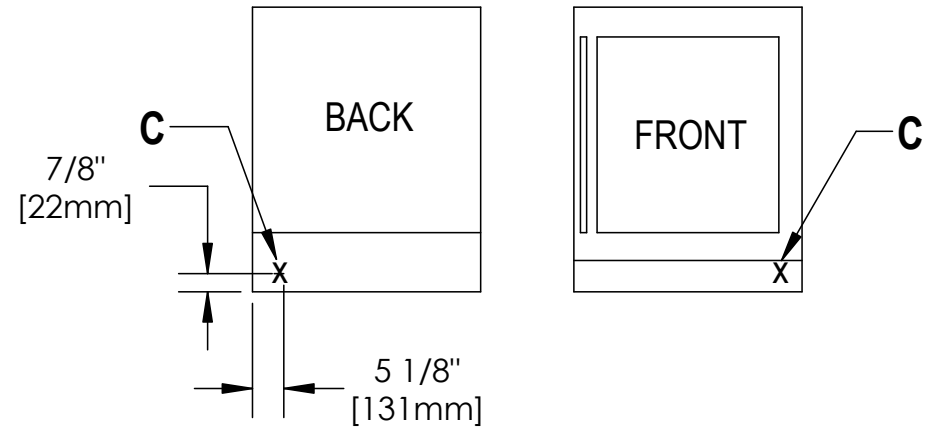
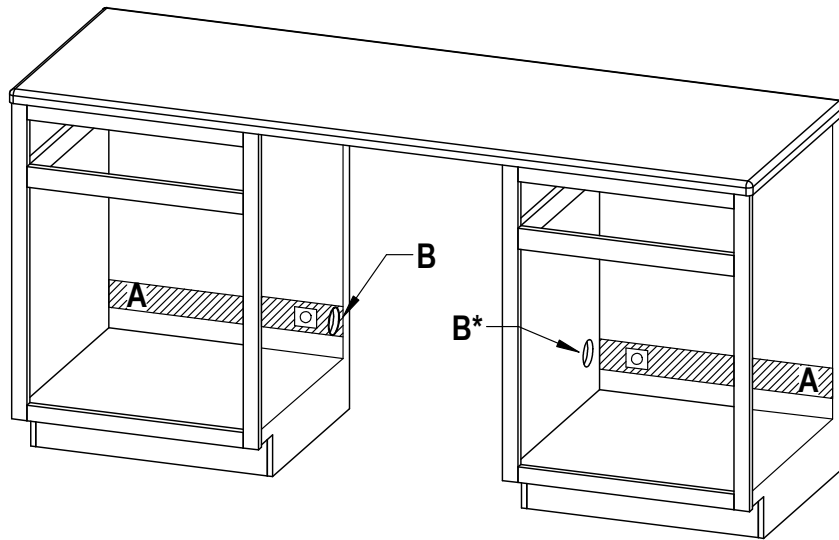
**Note:** With legs fully retracted the minimum overall height is 34 3/16" [868.0mm] from top to bottom. The legs can be extended up to 13/16" [20.0mm] to make the unit taller.



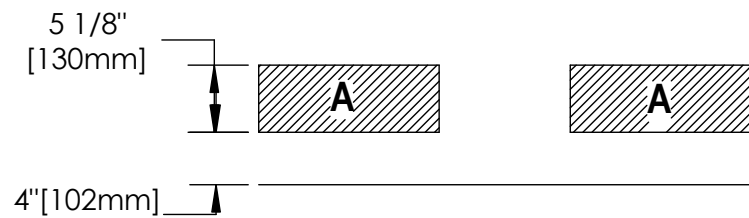
## Open Door Dimensions



## Electrical Outlet Rough-In Location



### A: Recommended area for installation connection.



For flush installation it is recommended to plug in the power cord beside the unit, not directly behind.

**B: To route power cord to outlet** - a 2 1/2" [63mm] diameter hole through wall oãthe adjacent cabinet is recommended.

\*The cabinet on the right hand side (when facing the front of the cabinet) is the preferred location to wire through.

**C: Location of power cord is on the back left of the unit**

## Rough-In & Product Dimensions

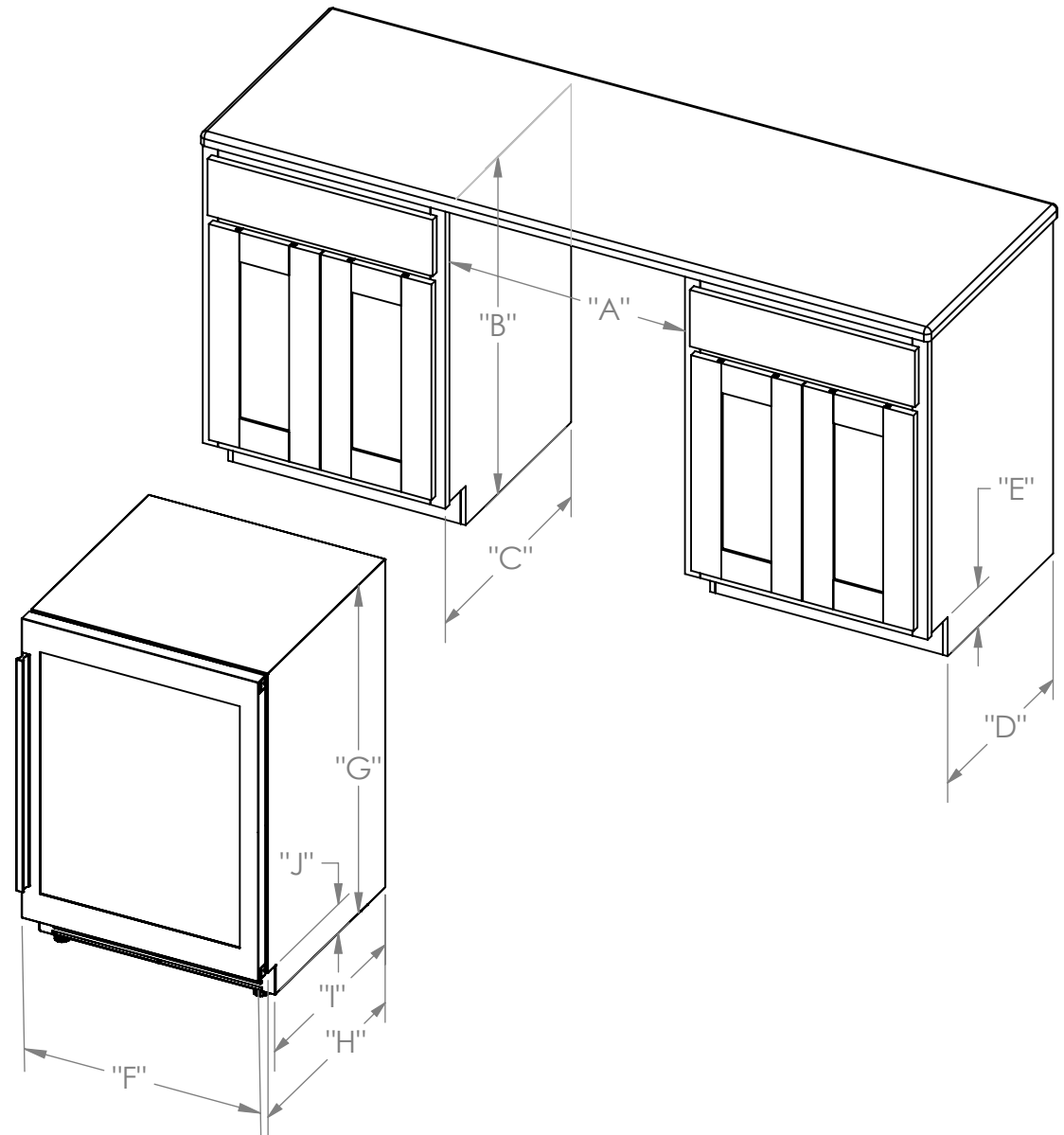
### Rough-In Dimensions

A. Rough-In Width	24" [610mm]
B. Rough-In Height	34 1/2" [877mm] to 35 1/8" [892mm]
C. Rough-In Depth	25" [635mm]
D. Rough-In Depth Kickplate	21 3/4" [552mm]
E. Rough-In Kickplate Height	3 1/16" [77mm]

### Product Dimensions

F. Width	23 7/16" [595mm]
G. Height	34 3/16" [868mm] to 35" [888mm]
H. Depth *	23 13/16" [604.45mm]
I. Depth to Kickplate	20 9/16" [523mm]
J. Kickplate Height	3 1/16" [77mm]

\*Does not include handle.



All dimensions provided in this manual are nominal values and subject to standard manufacturing tolerances. Due to variations in production and assembly processes, actual measurements may differ slightly from the values stated. These variations are within industry-accepted tolerances and do not affect the intended functionality or performance of the product.