

# STIRLING

DESIGNER GUIDE  
SPECIFICATIONS

## Cabinet Dimensions

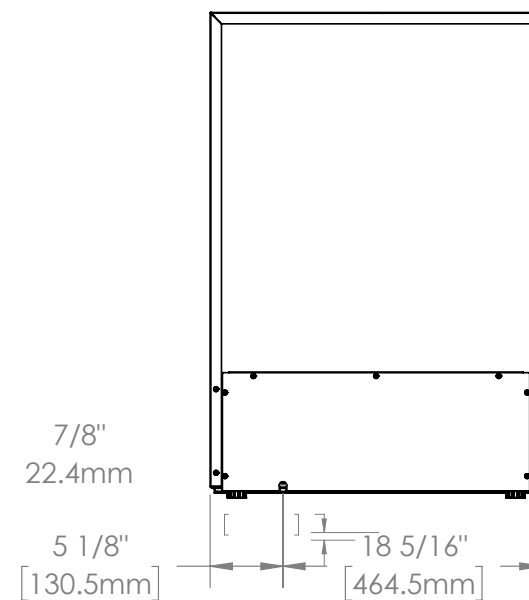
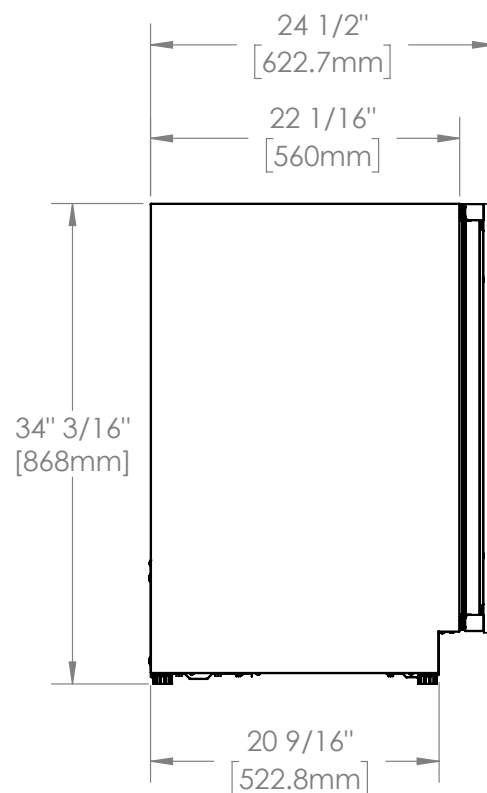
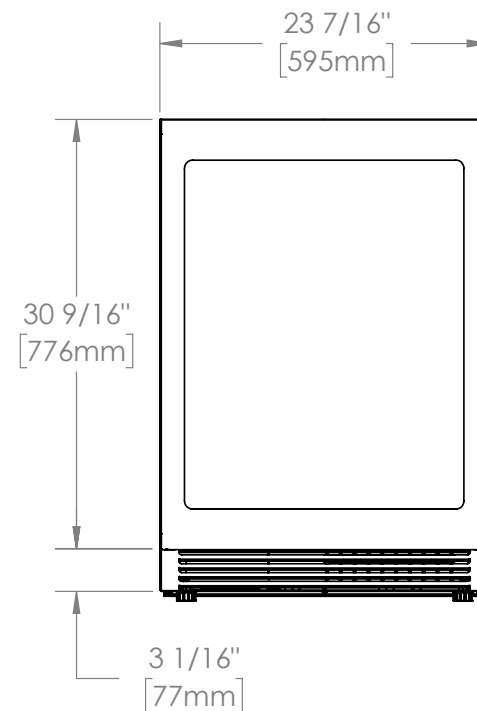
**Note:** With legs fully retracted the minimum overall height is 34 3/16" [868.0mm] from top to bottom. The legs can be extended up to 13/16" [20.0mm] to make the unit taller.

24" Undercounter Single Zone  
Refrigerator Panel Ready

**S4-100PANR**  
**S4-125PANR**  
**S4-150PANR**

24" Undercounter Dual Zone  
Refrigerator Panel Ready

**S4-D200PANR**  
**S4-D225PANR**  
**S4-D250PANR**  
**S4-D275PANR**



# STIRLING

DESIGNER GUIDE  
SPECIFICATIONS

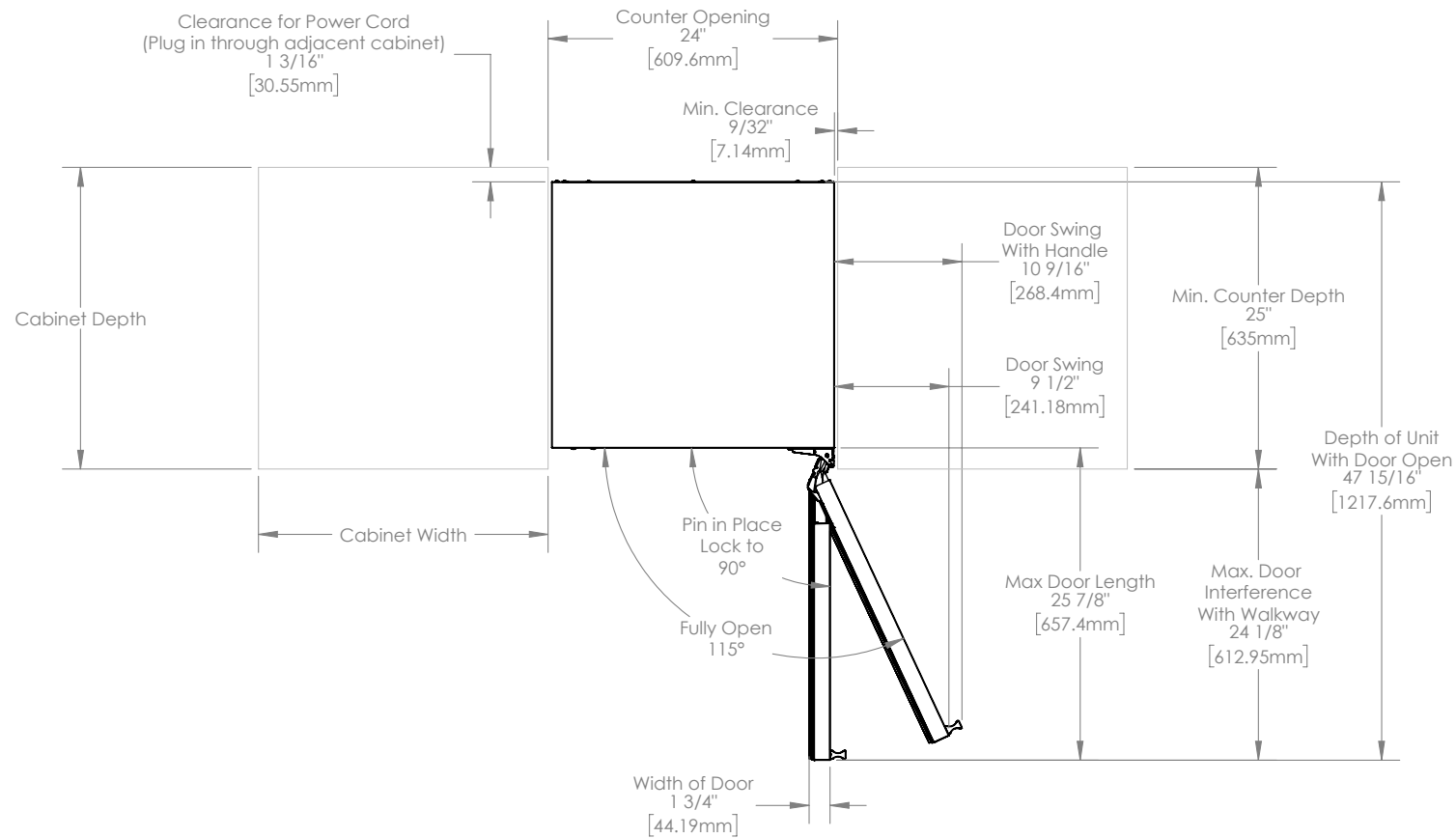
24" Undercounter Single Zone  
Refrigerator Panel Ready

**S4-100PANR**  
**S4-125PANR**  
**S4-150PANR**

24" Undercounter Dual Zone  
Refrigerator Panel Ready

**S4-D200PANR**  
**S4-D225PANR**  
**S4-D250PANR**  
**S4-D275PANR**

## Open Door Dimensions



# STIRLING

DESIGNER GUIDE  
SPECIFICATIONS

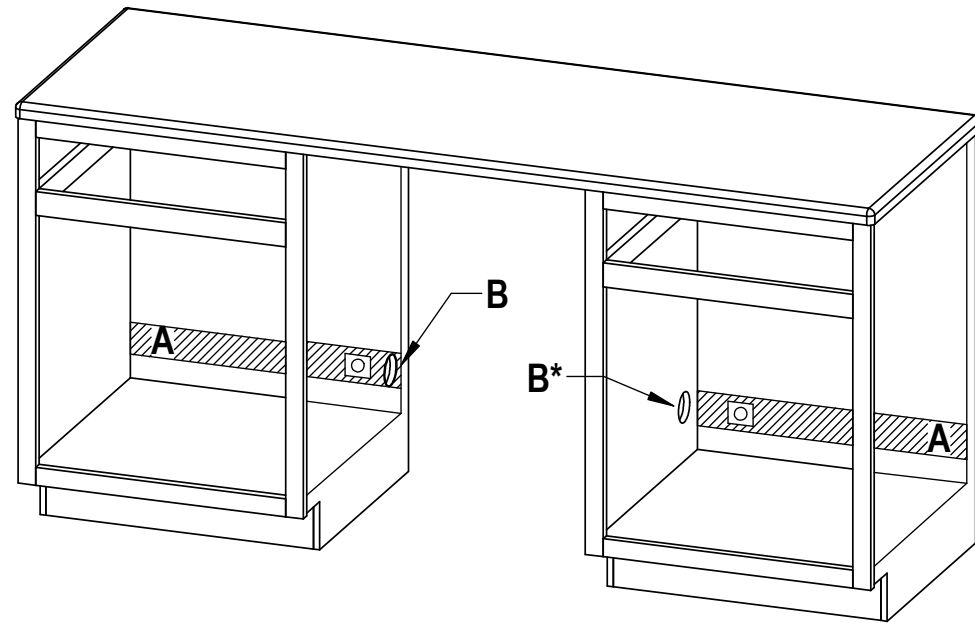
24" Undercounter Single Zone  
Refrigerator Panel Ready

S4-100PANR  
S4-125PANR  
S4-150PANR

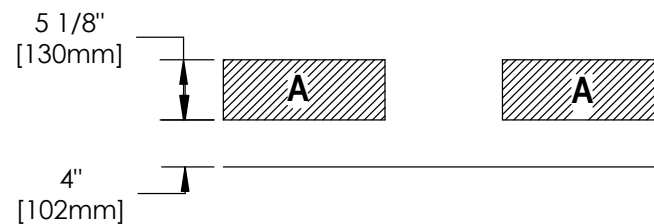
24" Undercounter Dual Zone  
Refrigerator Panel Ready

S4-D200PANR  
S4-D225PANR  
S4-D250PANR  
S4-D275PANR

## Electrical Outlet Rough-In Location



**A:** Recommended area for installation connection.

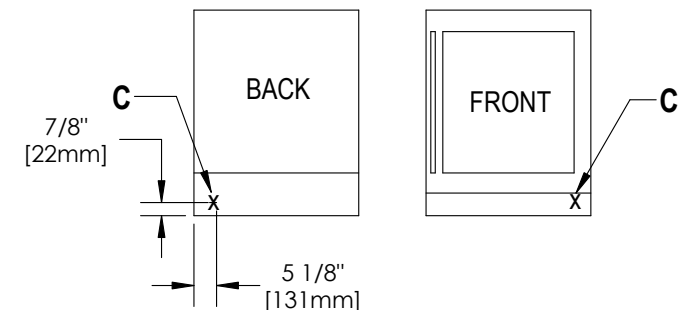


For flush installation it is recommended to plug in the power cord beside the unit, not directly behind.

**B:** To route power cord to outlet - a 2 1/2" [63mm] diameter hole through wall of the adjacent cabinet is recommended.

\*The cabinet on the right hand side (when facing the front of the cabinet) is the preferred location to wire through.

**C:** Location of power cord is on the back left of the unit



# STIRLING

DESIGNER GUIDE  
SPECIFICATIONS

24" Undercounter Single Zone  
Refrigerator Panel Ready

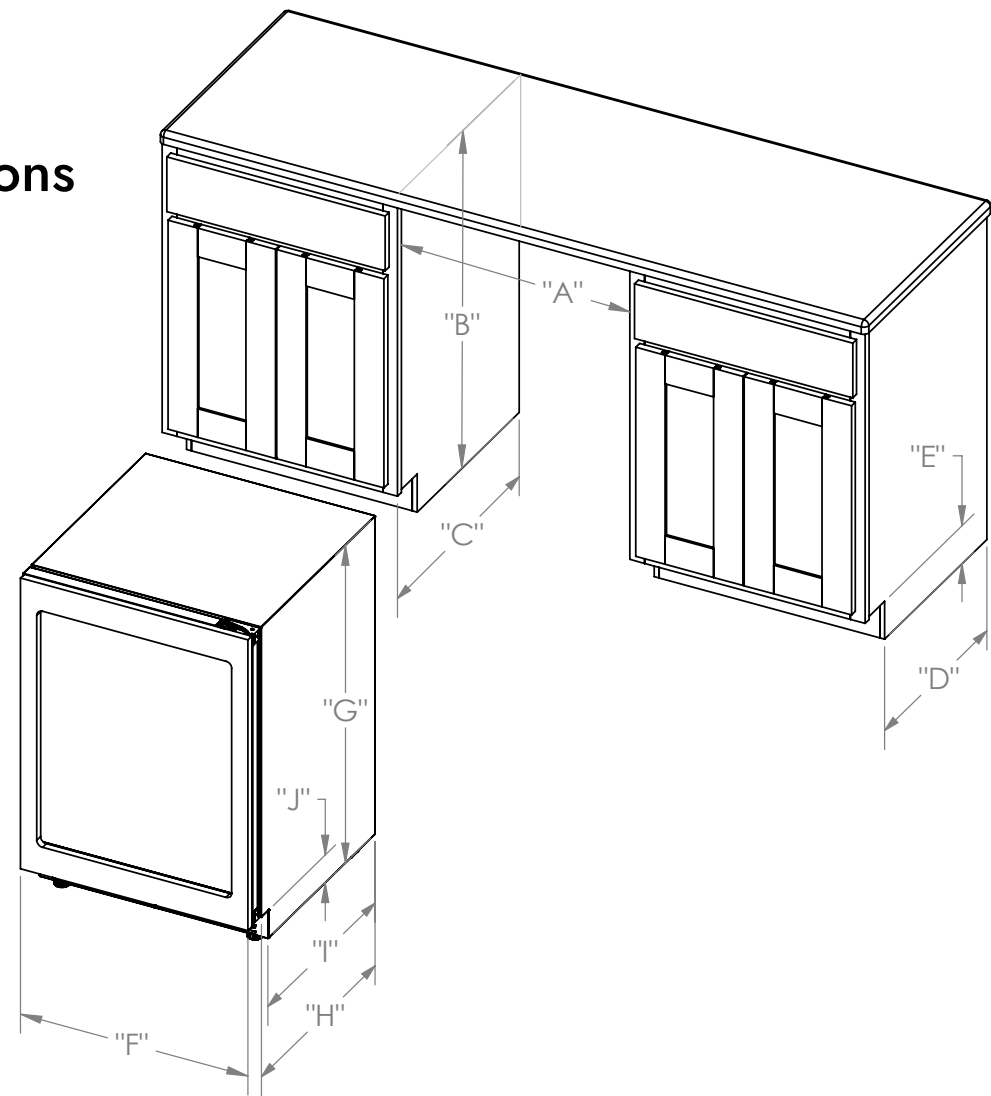
**S4-100PANR**  
**S4-125PANR**  
**S4-150PANR**

24" Undercounter Dual Zone  
Refrigerator Panel Ready

**S4-D200PANR**  
**S4-D225PANR**  
**S4-D250PANR**  
**S4-D275PANR**

[www.stirlingappliances.com](http://www.stirlingappliances.com)

## Rough-In Dimensions



### Rough-In Dimensions

A. Rough-In Width	24" [610mm]
B. Rough-In Height	34 1/2" [877mm] to 35 1/8" [892mm]
C. Rough-In Depth	26" [660mm]
D. Rough-In Depth to Kickplate	21 13/16" [554mm]
E. Rough-In Kickplate Height	3 1/16" [77mm]

### Product Dimensions (with Panel\*)

F. Width	23 7/16" [595mm]
G. Height	34 3/16" [868mm] to 35" [888mm]
H. Depth	24 3/4" [629mm]
I. Depth to Kickplate	20 9/16" [523mm]
J. Kickplate Height	3 1/16" [77mm]

\*3/4" (19mm) Panel

# STIRLING

DESIGNER GUIDE  
SPECIFICATIONS

24" Undercounter Single Zone  
Refrigerator Panel Ready

**S4-100PANR**  
**S4-125PANR**  
**S4-150PANR**

24" Undercounter Dual Zone  
Refrigerator Panel Ready

**S4-D200PANR**  
**S4-D225PANR**  
**S4-D250PANR**  
**S4-D275PANR**

## Panel Ready Frame Dimensions

